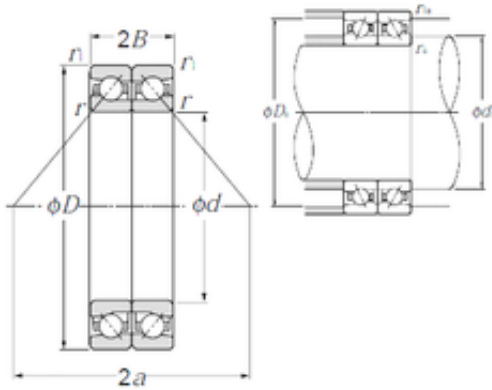




Ruville BEARING COMPANY

90 mm x 140 mm x 22,5 mm NTN HTA018DB
angular contact ball bearings



Bearing No. HTA018DB

Size	90x140x22.5 mm
Bore Diameter	90 mm
Outer Diameter	140 mm
Width	22,5 mm
d	90 mm
D	140 mm
B	22,5 mm
C	22,5 mm
ra1 max.	0,8 mm
r min.	1,5 mm
r1 min.	1 mm
2B	45 mm
da min.	102 mm
Da max.	132,5 mm
ra max.	1,5 mm
Weight	2,4 Kg
Basic dynamic load rating (C)	59,5 kN
Basic static load rating (C0)	141 kN
(Grease) Lubrication Speed	5 000 r/min

HTA018DB Bearing 2D drawings and 3D CAD models