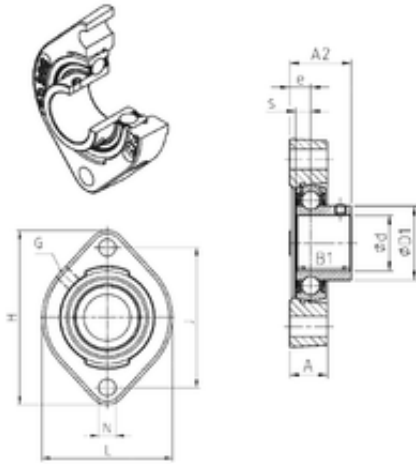




Ruville BEARING COMPANY



SNR USFD208 bearing units

Bearing No. USFD208

Bore Diameter	40 mm
d	40 mm
e	12,05 mm
s	9 mm
A	24 mm
B1	34 mm
D1	53 mm
H	148 mm
J	119 mm
L	104 mm
N	14 mm
Thread (G)	R1/8"
A2	37,1 mm
Weight	1,3 Kg
Basic dynamic load rating (C)	29,6 kN

USFD208 Bearing 2D drawings and 3D CAD models