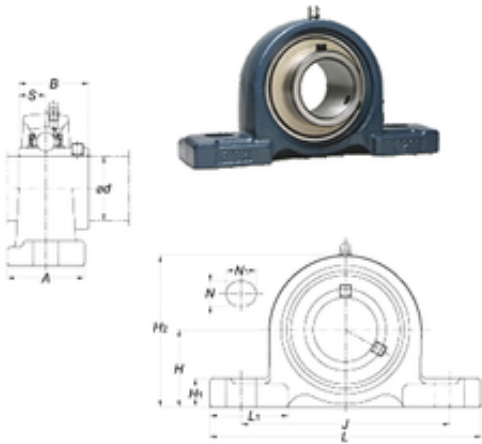




Ruville BEARING COMPANY

FYH UCPX13 bearing units



Bearing No. UCPX13

| | |
|-------------------------------|-------------------------|
| Bore Diameter | 65 mm |
| Width | 74,6 mm |
| d | 65 mm |
| A | 83 mm |
| B | 74,6 mm |
| H | 76,2 mm |
| H1 | 28 mm |
| H2 | 155 mm |
| J | 203 mm |
| L | 286 mm |
| L1 | 88 mm |
| N | 25 mm |
| N1 | 40 mm |
| S | 30,2 mm |
| Bolt (G) | M20 |
| Weight | 8,1 Kg |
| Basic dynamic load rating (C) | 62,2 kN |
| Basic static load rating (C0) | 44,1 kN |
| Category | Mounted Units & Inserts |
| Inventory | 0.0 |
| Manufacturer Name | FYH BEARING UNITS |
| Minimum Buy Quantity | N/A |
| Weight / Kilogram | 0 |
| Product Group | M06110 |

UCPX13 Bearing 2D drawings and 3D CAD models