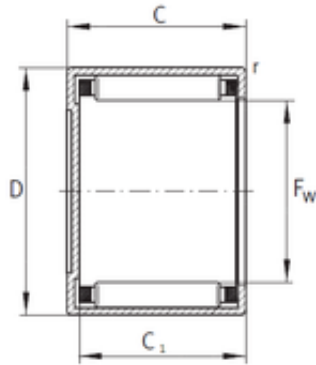




Ruville BEARING COMPANY

INA BCE2212 needle roller bearings



Bearing No. BCE2212

Size	34.925x41.275x19.05 mm
Bore Diameter	34,925 mm
Outer Diameter	41,275 mm
Width	19,05 mm
Fw	34,925 mm
D	41,275 mm
C	19,05 mm
Weight	0,039 Kg
Basic dynamic load rating (C)	21,5 kN
Basic static load rating (C0)	42,5 kN

BCE2212 Bearing 2D drawings and 3D CAD models