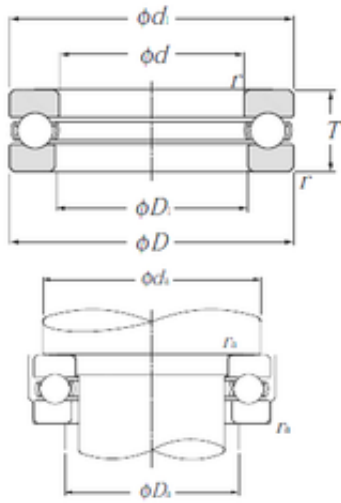




Ruville BEARING COMPANY



NTN 51316 thrust ball bearings

Bearing No. 51316

51316 Bearing 2D drawings and 3D CAD models

Size	80x140x44 mm
Bore Diameter	80 mm
Outer Diameter	140 mm
Width	44 mm
d	80 mm
D	140 mm
T	44 mm
d1	140 mm
r min.	1,5 mm
D1	82 mm
da min.	116 mm
Da max.	104 mm
ra max.	1,5 mm
Weight	2,72 Kg
Basic dynamic load rating (C)	176 kN
Basic static load rating (C0)	425 kN
(Grease) Lubrication Speed	1 200 r/min
Category	Thrust Ball Bearing
Inventory	0.0
Manufacturer Name	NTN
Minimum Buy Quantity	N/A
Weight / Kilogram	2.708
Product Group	B00308
Rolling Element	Ball Bearing
Thrust Bearing	Yes
Single or Double Direction	Single Direction



Ruville BEARING COMPANY

Banded	No
Cage Material	Steel
Precision Class	ABEC 1 ISO P0
Component Description	Roller Assembly Plus Raceways
Other Features	Single Row With Flat Seat
Long Description	80MM Bore 1; 82MM Bore 2; 140MM Outside Diameter; 44MM Height; Ball Bearing; Single Direction; Not Banded; Steel Cage; ABEC 1 ISO P0 Precision
Inch - Metric	Metric
Category	Thrust Ball Bearings
UNSPSC	31171552
Harmonized Tariff Code	8482.10.50.08
Noun	Bearing
Keyword String	Ball Thrust
Manufacturer URL	http://www.ntnamerica.com
Manufacturer Item Number	51316
Weight / LBS	5.99657
Height	1.732 Inch 44 Millimeter
Overall Height with Aligning Washer	0 Inch 0 Millimeter
Bore 1	3.15 Inch 80 Millimeter
Bore 2	3.228 Inch 82 Millimeter
Outside Diameter	5.512 Inch 140 Millimeter