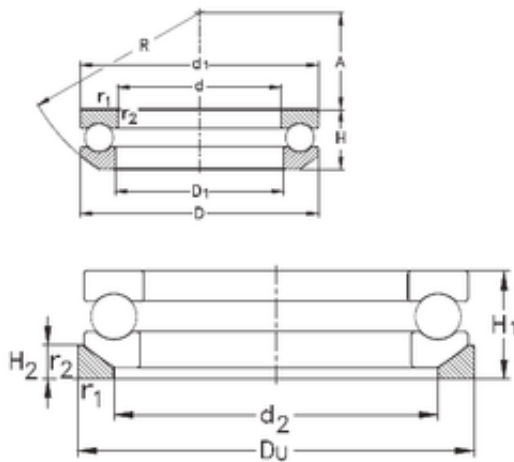




Ruville BEARING COMPANY

NKE 53312+U312 thrust ball bearings

Bearing No. 53312+U312



53312+U312 Bearing 2D drawings and 3D CAD models

Size	60x110x38.3 mm
Bore Diameter	60 mm
Outer Diameter	110 mm
Width	38,3 mm
d	60 mm
D	110 mm
H	38,3 mm
d1	110 mm
d2	85 mm
r1 min.	1,1 mm
r2 min.	1,1 mm
A	41 mm
D1	62 mm
H1	42 mm
H2	11,5 mm
R	90 mm
Weight	1,72 Kg
Basic dynamic load rating (C)	102 kN
Basic static load rating (C0)	208 kN