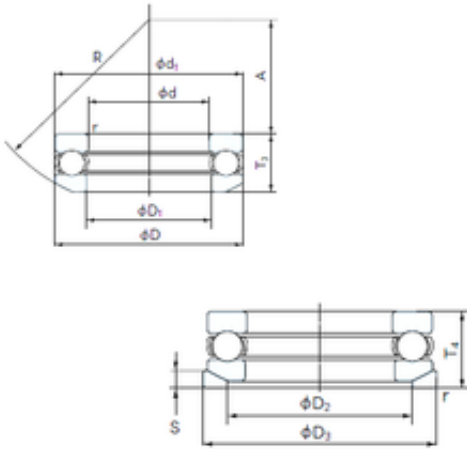




Ruville BEARING COMPANY

NACHI 53338U thrust ball bearings

Bearing No. 53338U



53338U Bearing 2D drawings and 3D CAD models

Size	190x320x121 mm
Bore Diameter	190 mm
Outer Diameter	320 mm
Width	121 mm
d	190 mm
D	320 mm
T	121 mm
d1	315 mm
r min.	4 mm
A	104 mm
D1	195 mm
D2	255 mm
D3	330 mm
R	250 mm
S	33 mm
Weight	41.9 Kg
Basic dynamic load rating (C)	570 kN
Basic static load rating (C0)	2100 kN
(Grease) Lubrication Speed	500 r/min